

Accessories

Weidmüller offers a comprehensive range of accessories for its range of heavy duty connectors.

As well as manual crimping tools, we offer crimping machines for processing turned and rolled crimp contacts.

Operating and contact removal tools round off the product range.

Furthermore, coding sets, adapter plates and cover plates are included in the range of accessories.

In addition, the range of accessories is supplemented by components for the DSTVK and DSTV-HD through-panelconnectors.

Marking material, marking carriers and marking plates round off the range.

Accessories

NEW

RailMate - rail mounting system

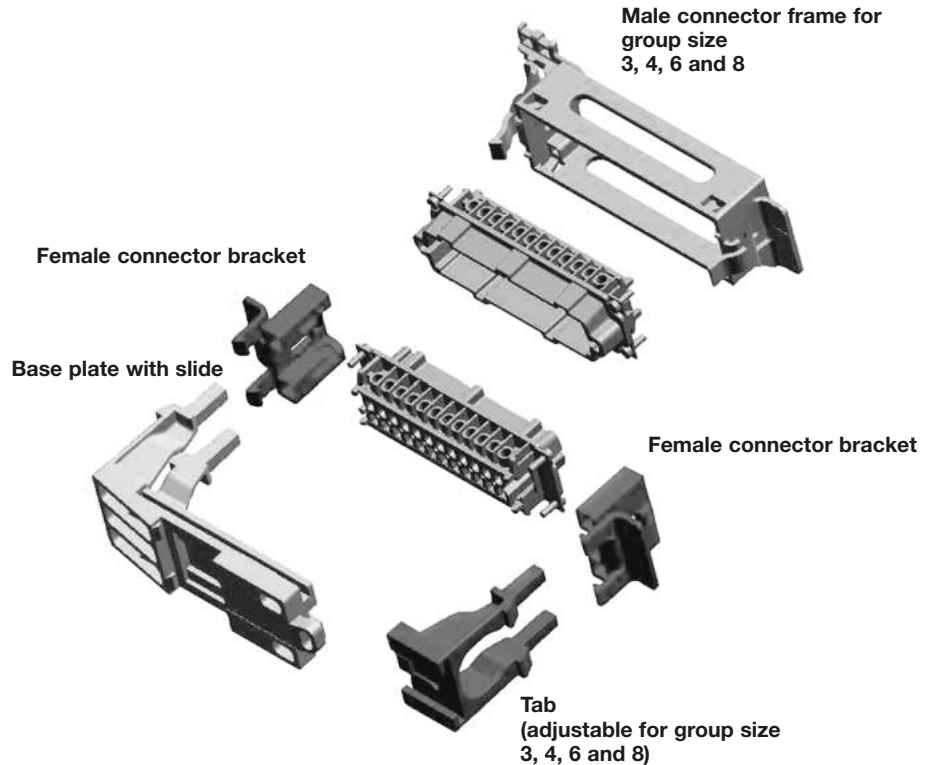


The new RailMate rail-mounting system allows connectors to be wired inside switchgear cabinets at a reasonable price

- Snap-on components require no tools for mounting
- Easy to pre-assemble
- Large cable compartment
- Simplified direct wiring on TS 35 rails
- Adjustable for varying number of poles
- Greater stability and functional safety
- Coding ensures error-free connection
- Large marking surfaces

Sets comprise a complete mounting system (without connector):

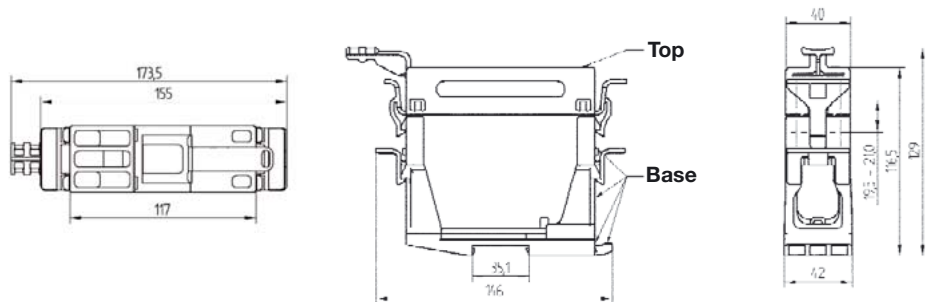
- 1 Base plate with slide
- 1 Tab
- 2 Female connector bracket
- 1 Male connector frame



Technical data

Use with top-hat rail in accordance with DIN EN 50022 – 35 x 7.5 and DIN EN 50022- 35 x 15

Material:	Polycarbonate,
Colour:	Pebble grey, RAL 7032
Material property:	Phosphorous and halogene-free
Flammability class:	V0 in accordance with UL 94
Temperature range:	-40° C to 125° C



Ordering data

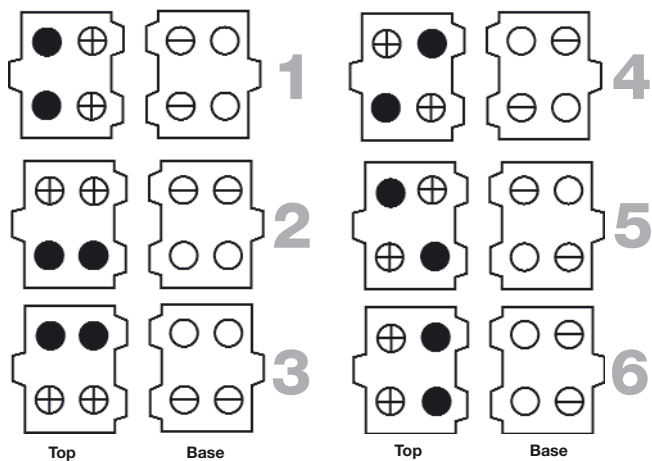
Description	Type	Cat. No.			Qty.
Sets					
Set for inserts group size 3	HDC RailMate HB6 Set	1797500000			1
Set for inserts group size 4	HDC RailMate HB10 Set	1797510000			1
Set for inserts group size 6	HDC RailMate HB16 Set	1797520000			1
Set for inserts group size 8	HDC RailMate HB24 Set	1797530000			1
Individual components					
Male connector frames for group size 3	HDC RailMate HB6 Top	1797540000			10
Male connector frames for group size 4	HDC RailMate HB10 Top	1797550000			10
Male connector frames for group size 6	HDC RailMate HB16 Top	1797560000			10
Male connector frames for group size 8	HDC RailMate HB24 Top	1797570000			10
Base plate with slide, tab and 2 female connector brackets for group sizes 3, 4, 6 and 8	HDC RailMate Base	1797580000			1
Accessories					
Coding set with 50 pins and 50 plugs	HDC RailMate COS	1798260000			1
		silver	white	yellow	
Labels for laser printer (264 pieces/DIN A 4 sheets)	LM MT 300 20/8	1686380001	1686381044	1686381687	10 sheets
Labels for thermal transfer printer 10.000 pieces/roll	THM MT30X 32/9	1751770001	1751771044	1751771687	1 roll

Accessories

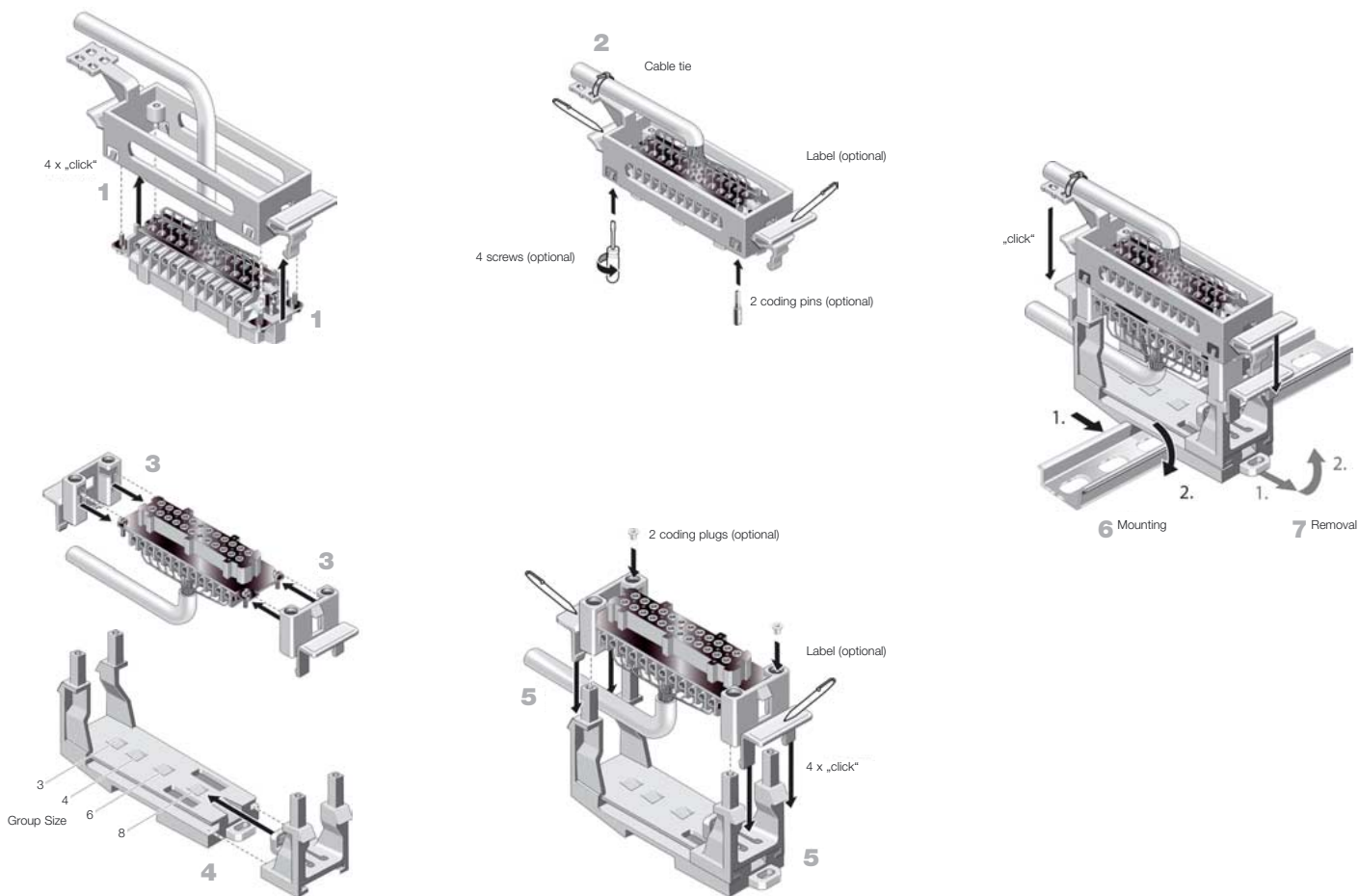
RailMate - rail mounting system

Coding scheme

- Coding pins
- ⊕ Fixing screw
- ⊖ Coding plugs
- Open



Mounting instructions



Accessories

Crimping tools

Special type for HE male and female contacts

Preferred type for turned crimp contacts HE, HD and ConCept

For stamped GS/GB and CS/CB contacts

Screwdriver

CZB 1



Type	Description	Cat. No.	Qty.
CZB 1	Crimping tool for 1.5...4.0 mm ² conductor cross-section	9012710000	1

CTX CM



Type	Description	Cat. No.	Qty.
CTX CM 3.6	Crimping tool for Ø 3.6 mm contacts with 4.0...10.0 mm ² conductor cross-section of ConCept module CM-3	9018480000	1
CTX CM 1.6/2.5	Crimping tool for Ø 1.6 mm/Ø 2.5 mm contacts with 0.14...2.5 mm ² conductor cross-section, of turned HE, turned HD and ConCept contacts	9018490000	1
HDC-CM-3	Crimping tool for 1.5...10 mm ² conductor cross-section of ConCept module CM-3	1700890000	1
HDC-CM-20	Crimping tool for Ø 1.0 mm D-Sub contacts with 0.08...0.52 mm ² conductor cross-section of ConCept module CM-20	1700900000	1

HDC-CM



HTF RSV 1.6



Type/Description	Cat. No.	Qty.
HTF RSV 1.6	9013560000	1
Crimping tool		
Crimpable contact		
Cross-section mm ²	AWG-conductor	Insulation diameter in mm
0.14...0.25	26...24	0.8...1.4
0.34...0.5	22...20	1.1...1.8
0.34...0.5	22...20	2.0...2.5
0.75...1.5	18...16	2.0...3.5

SD



Type	Cat. No.	Qty.
SD	9008330000	1
Crimpable contact		
0.6 x 3.5 x 100		

Contact removal tool¹⁾

for HD and ConCept crimp contacts or GB/GS and CB/CS crimp contacts

DW RSV 1.6

HDC-DW



Type	Description	Cat. No.	Qty.
DW RSV 1.6	Tool for removal of stamped HD female and male contacts of type CB/CS and GB/GS	9004530000	1
Contact removal tool for ConCept			
Type	for ConCept module	Cat. No.	Qty.
HDC-DW-M3	HDC-CM-3	1688240000	1
HDC-DW-M5	HDC-CM-5	1688230000	1
HDC-DW-M10¹⁾	HDC-CM-10	1688220000	1
HDC-DW-M20	HDC-CM-20	1688210000	1
HDC-DW-M4²⁾	HDC-CM-HE -4	1760170000	1

Module removal tool

for ConCept modules

HDC-DW-MOD



Type	Description	Cat. No.	Qty.
HDC-DW-MOD	For removal of ConCept modules from the frame	1688200000	1

¹⁾ Tool for removal of turned HD contacts

²⁾ Tool for removal of HE contacts

³⁾ Please do not loosen the contact more than 3 times

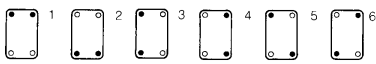
Accessories

Coding by means of coding pins for all fixed-pole inserts

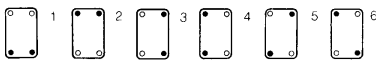


Type	Cat. No.	Qty.
SPB-M 3	1203600000	10

- Coding pins
- Fixing screws



Male insert



Female insert

The coding system is not compatible with the KDSTV COS 32...16 and DSTVR COS 16 coding system.

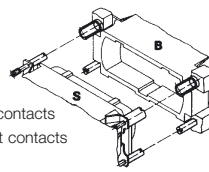
Coding set for connector types*

DSTVK-R
DSTV-HD R

with corresponding mating connector

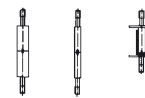
HE
HD

Type	Cat. No.	Qty.
DSTV R COS 16	1474300000	1



B = Female element with pin contacts
S = Male element with socket contacts

yes no yes



Examples of impermissible/permissible coding element combinations.

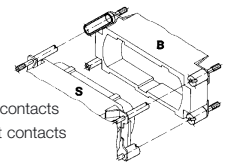
Up to 8 connectors can be coded with the contents of one coding set. Two coding sets must be used in order to be able to code 9 to 16 connectors.

*Coding scheme for DSTVK COS see page 236 "Accessories"

Coding set for connector types

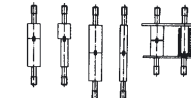
HE
HD
HSB
DSTV K
DSTV-HD

Type	Cat. No.	Qty.
DSTV COS 16	1431000000	1
DSTV COS 24	1430900000	1
DSTV COS 32	1430800000	1



B = Female element with pin contacts
S = Male element with socket contacts

no no no no yes yes



Examples of impermissible/permissible coding element combinations.

Number of codable connectors (max.)

	72	64	56	48	40	32	24	16	8
Coding set	Number of coding sets required								
DSTV COS 16	2	1							
DTSV COS 24	3	3	3	2	1				
DSTV COS 32	4	4	4	4	4	4	3	2	1

Fixing foot for TS 35 mounting rail

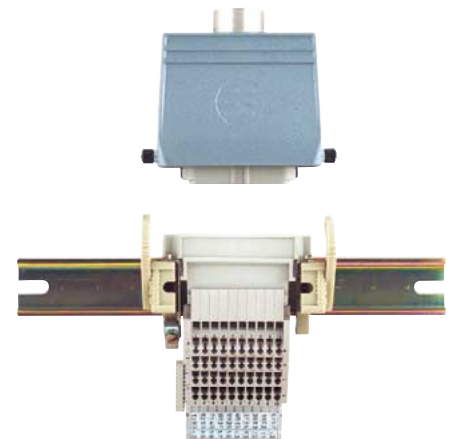


Type	Cat. No.	Qty.
DSTV-TS 6-24	1595220000	10

Locking latch



Type	Cat. No.	Qty.
DSTV-TS 6 VH	1595230000	10
DSTV-TS 10-24 VH	1595240000	



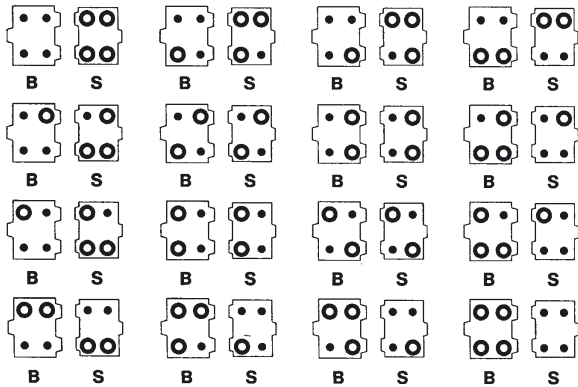
Example of application: DSTV-TS

Accessories

Coding scheme for coding set

DSTV COS 16

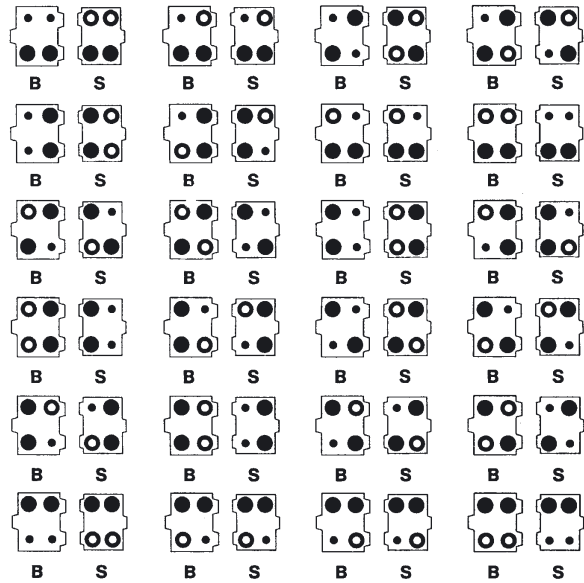
2 coding sets can code max. 16 connectors.
Please order 2 sets for 16 connectors.



Coding scheme for coding set

DSTV COS 24

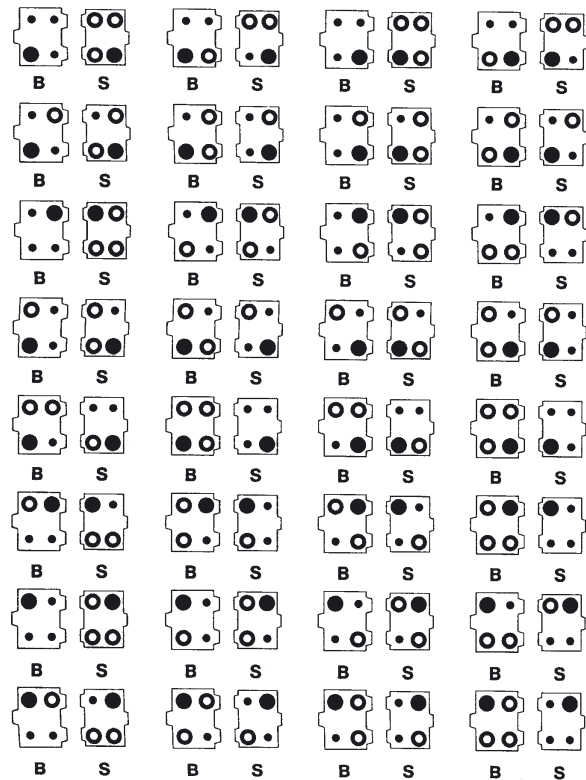
3 coding sets can code max. 24 connectors.
Please order 3 sets for 24 connectors.



Coding scheme for coding set

DSTV COS 32

4 coding sets can code max. 32 connectors.
Please order 4 sets for 32 connectors.

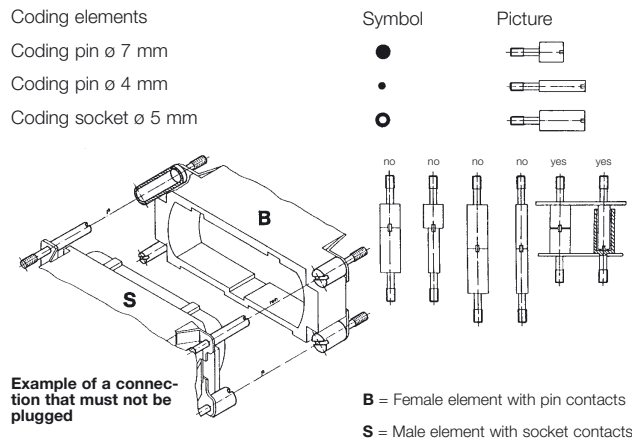


Coding systems

for square connectors with M3 thread

Correct mating of connectors requires a simple, functionally reliable coding system.

The **COS coding system** is suitable for all square connectors. The coding elements are fitted instead of the fixing screws.



A maximum of 8 plug connections can be coded using the parts of any one coding set.

In order to be able to code more than 8 connectors, the number of necessary coding sets must be read from the table.

Number of codable connectors (max.)

Coding set	72	64	56	48	40	32	24	16	8
Number of the coding sets required									
DSTV COS 16	2	1							
DTSV COS 24	3	3	3	2	1				
DSTV COS 32	4	4	4	4	4	4	3	2	1

Individual parts per Qty.	Coding set		
	COS 16	COS 24	COS 32
Spring washer A3 DIN 137	8 x 8	8 x 8	8 x 8
Coding instructions	1	1	1
Coding pin ø 7 mm		8 x 4	8 x 2
Coding socket ø 5 mm	8 x 4	8 x 2	8 x 3
Coding pin ø 4 mm	8 x 4	8 x 2	8 x 3

Accessories

Marking material Snap-on marking tag S 10



Type	Cat. No.	Qty.
SO 10 unprinted	0332300000	10
SF 10 sequential print	0332400000	10
SG 10 identical print	0332500000	10

Ordering guide for the required number of individual digits for compiling multi-digit numbers:

Individual digits for marking from...to...			
1...50	10...100	1...150	1...200
15 x 1	21 x 1	86 x 1	140 x 1
15 x 2	20 x 2	35 x 2	41 x 2
15 x 3	20 x 3	35 x 3	41 x 3
15 x 4	20 x 4	35 x 4	41 x 4
6 x 5	20 x 5	26 x 5	40 x 5
5 x 6	20 x 6	25 x 6	40 x 6
5 x 7	20 x 7	25 x 7	40 x 7
5 x 8	20 x 8	25 x 8	40 x 8
5 x 9	20 x 9	25 x 9	40 x 9
5 x 0	11 x 0	25 x 0	31 x 0

Marking carriers Group marker for DSTVK... and DSTVK R... inserts



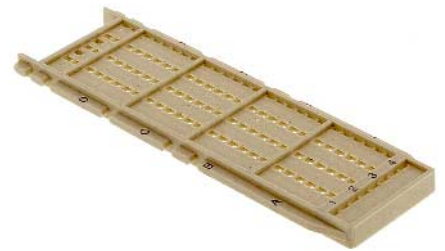
Type		Cat. No.	Qty.
BZ 2/12	12-pole	1339460000	10



Type	Cat. No.	Qty.
DSTV BZP 2	1471700000	20

Group marker (unprinted) for snapping onto DSTVK....
DSTVK R...
Printed group marker on request.

Marking plate DSTV-HD BZS ... for DSTV-HD inserts used with S-10 snap-on marking tags



for	Type	Cat. No.	Qty.
DSTV-HD-BL 40...	DSTV-HD BZS-BL 40...	1550360000	5
DSTV-HD-SL 40...	DSTV-HD BZS-SL 40...	1550560000	5

Adapter plate, plastic



Type	Cat. No.	Group size	Qty.
ADP-8/3-OR	1664980000	3	10
ADP-8/3-GR	1664990000	3	10
ADP-8/4-OR	1665000000	4	10
ADP-8/4-GR	1665010000	4	10
ADP-8/6-OR	1665020000	6	10
ADP-8/6-GR	1665030000	6	10

GR = Grey
OR = Orange

Cover plates



Type	Cat. No.	Group size	Qty.
ABD-1 shee steel	9457300000	1	50
ABD-2-GR	1664330000	2	10
ABD-3-GR	1664350000	3	10
ABD-5-GR	1664370000	5	10
ABD-6-GR	1664390000	6	10
ABD-8-OR	1664960000	8	10
ABD-8-GR	1664970000	8	10

Adapter plate, D-Sub



Type	Cat. No.	Group size	Qty.
ADS/6-1/9	1665940000	3	10
ADS/6-2/9	1665950000	3	10
ADS/6-1/15	1666200000	3	10
ADS/6-2/15	1666210000	3	10
ADS/10-1/25	1666220000	4	10
ADS/10-2/25	1666230000	4	10
ADS/16-1/25	1666320000	6	10
ADS/16-2/25	1666330000	6	10
ADS/16-1/37	1666340000	6	10
ADS/16-2/37	1666350000	6	10
ADS/16-1/50	1666460000	6	10

Accessories

Connector and Bulkhead housing

HA. 10...

With Sub-D 25 as IDC version

With protection against incorrect plugging

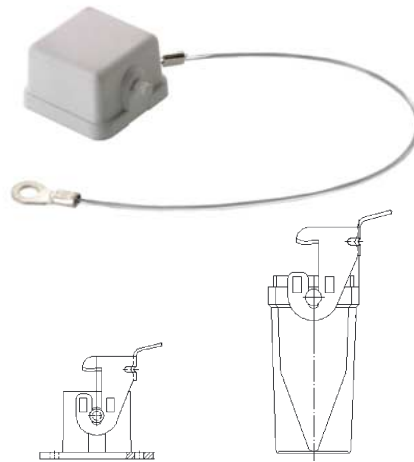


Type	Cat. No.
Plug hood with PG 11	
HA.10/SUB-D 25 BU with Sub-D 25 female version	1567410000
Bulkhead housing	
HA.10/SUB-D 25 ST with Sub-D 25 male version	1567420000
Bulkhead housing	
HA.10/SUB-D 25 AG without Sub-D	1572680000
Connector and bulkhead housing complete	
HA.10/SUB-D 25	1563950000

Overview of housing covers

Cover for housing with end locking

Plastic / Cover with cord

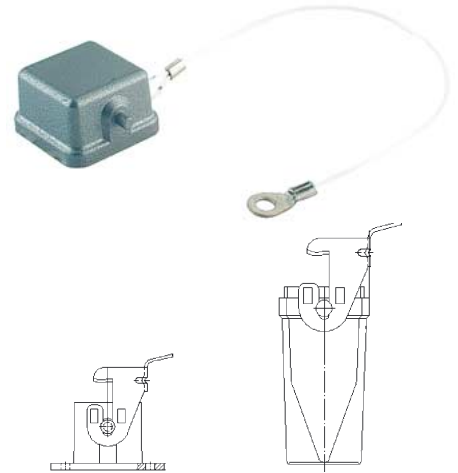


Version / type	GS	Cat. No.	Qty.
Plastic cover			
HDC-HA-3-KDBF-S	1	1665760000	10
HDC-HA-3-KDBF-B	1	1665770000	10

S = Cover without gasket when male insert is used
 B = Cover with gasket when female insert is used

Cover for housing with end locking

Metal / Cover with cord

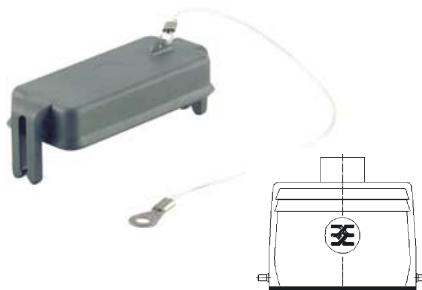


Version / type	GS	Cat. No.	Qty.
Metal cover			
HDC-HA-3-MDBF-S	1	1665740000	10
HDC-HA-3-MDBF-B	1	1665750000	10

S = Cover without gasket when male insert is used
 B = Cover with gasket when female insert is used

Cover for plug hood

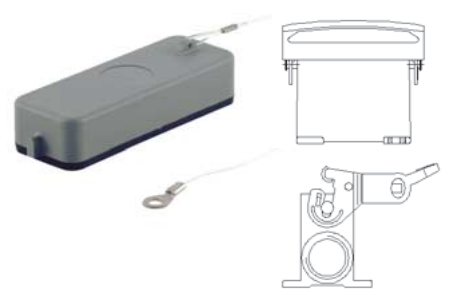
Cover with cord



Version / type	GS	Cat. No.	Qty.
Plastic cover			
HDC-HA-10-KDF	2	1665890000	5
HDC-HA-16-KDF	5	1665910000	5

Cover for housing with end locking

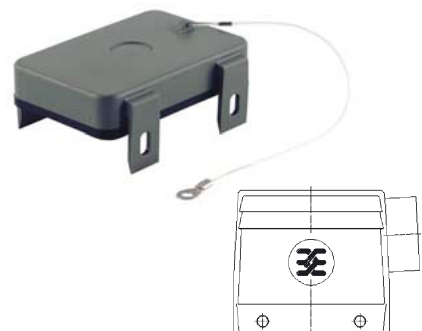
Cover with cord



Version / type	GS	Cat. No.	Qty.
Plastic cover			
HDC-HA-10-KDBF	2	1665880000	5
HDC-HA-16-KDBF	5	1665900000	5

Cover for plug hood

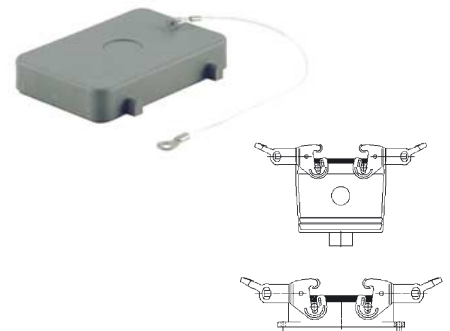
Cover with cord



Type	GS	Cat. No.	Qty.
Plastic cover			
HDC-HA-32-KDF	7	1665930000	2

Cover for housing with side locking

Cover with cord



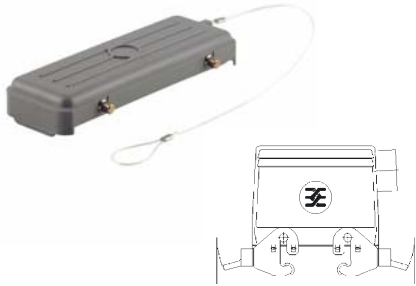
Type	GS	Cat. No.	Qty.
Plastic cover			
HDC-HA-32-KDBF	7	1665920000	2

Accessories

Overview of housing covers

Cover for plug hood with side locking

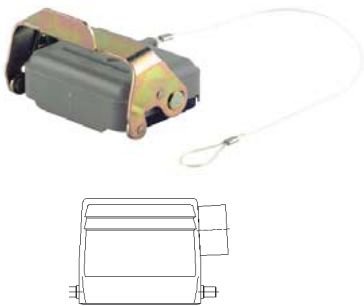
Cover with cord



Type	GS	Cat. No.	Qty.
Plastic cover			
HDC-HB-10-DBP	4	1665250000	5
HDC-HB-16-DBP	6	1665620000	5
HDC-HB-24-DBP	8	1665650000	2

Cover for plug hood

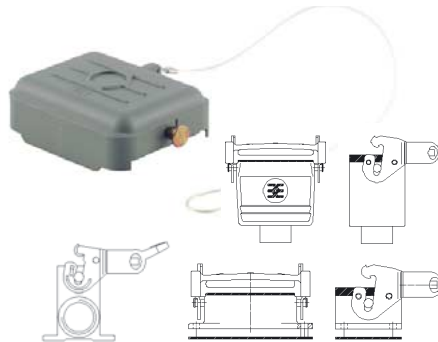
Cover with cord



Type	GS	Cat. No.	Qty.
Plastic cover			
HDC-HB-6-DT	3	1665210000	2

Cover for lower side with end locking

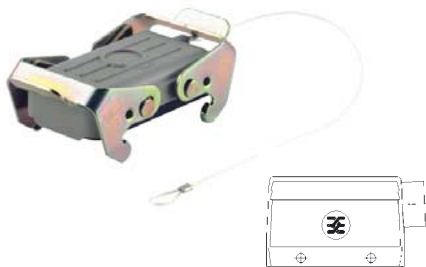
Cover with cord



Type	GS	Cat. No.	Qty.
Plastic cover			
HDC-HB-6-DB	3	1665200000	5

Cover for plug hood

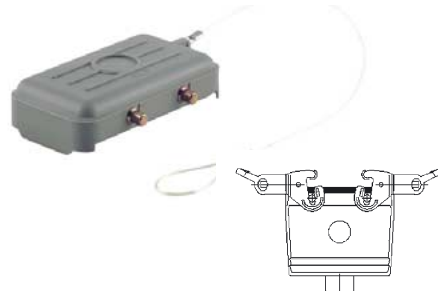
Cover with cord



Type	GS	Cat. No.	Qty.
Plastic cover			
HDC-HB-10-DT	4	1665240000	2
HDC-HB-16-DT	6	1665270000	2
HDC-HB-24-DT	8	1665640000	2

Cover for lower side with side locking

Cover with cord



Type	GS	Cat. No.	Qty.
Plastic cover			
HDC-HB-10-DB	4	1665230000	5
HDC-HB-16-DB	6	1665260000	2
HDC-HB-24-DB	8	1665630000	2